

SUPERVISORY SWITCH

Model: OSYSU-1, OSYSU-2

Features

- Use to monitor a particular position of a OS&Y Gate or Globe Valve, 15mm [1/2"] to 300mm [12"]
- Suitable for Indoor or Outdoor use with Factory-installed Gasket
- Explosion-proofed type Switch Model OSYSU-EX is available

Contact Rating : • IP65, when used with appropriate Conduit Fittings

- OSYSU-1 & OSYSU-2 has One & Two sets of SPDT (Form C) respectively
- 15A at 125/250 Vac, 2A at 30 Vdc

Temperature : -40°C to 60°C

How to Order : Model

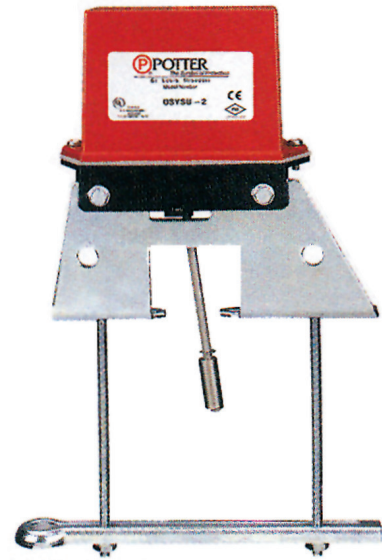


FIG. 3 DIMENSIONS

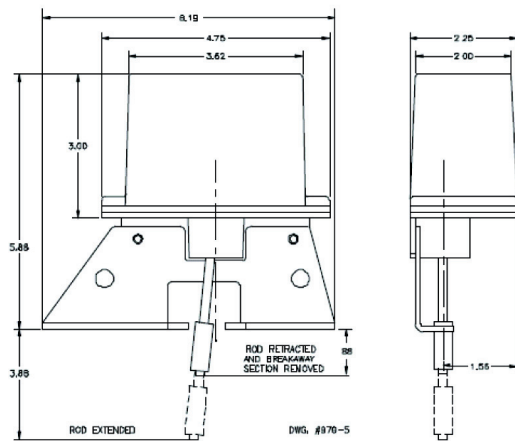
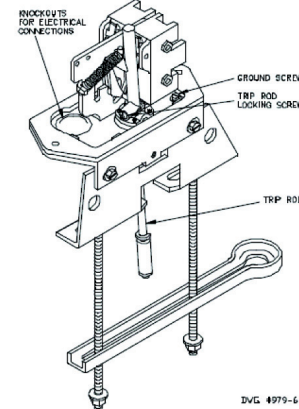


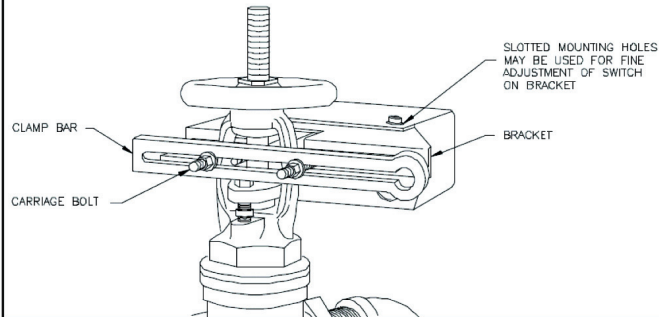
FIG. 4 PARTS



SWITCHES

SMALL VALVE INSTALLATION - 1/2" THRU 2 1/2" SIZES

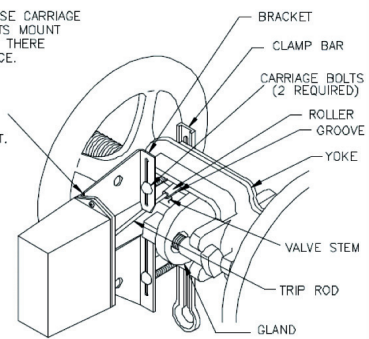
THESE SWITCHES MOUNT CONVENIENTLY TO MOST 2" TO 12" OS & Y VALVES. THEY WILL MOUNT ON SOME VALVES AS SMALL AS 1/2". J-HOOKS MAY BE REQUIRED ON VALVES WITH LIMITED CLEARANCE.



LARGE VALVE INSTALLATION - 3" THRU 12" SIZES

3" THRU 12" VALVES USE CARRIAGE BOLTS. CARRIAGE BOLTS MOUNT ON INSIDE OF YOKE, IF THERE IS SUFFICIENT CLEARANCE.

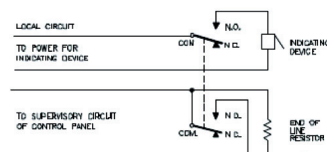
SLOTTED MOUNTING HOLES, MAY BE USED FOR FINE ADJUSTMENT OF SWITCH ON BRACKET.



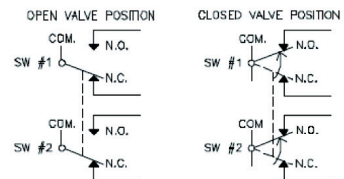
Technical Data:

Model	Number of SPDT contacts	Weight (kg)
OSYSU-1	1	0.900
OSYSU-2	2	0.900

TYPICAL ELECTRICAL CONNECTIONS



TYPICAL SWITCH ACTION



[Registered under Potter]

tyco / Fire & Building Products