

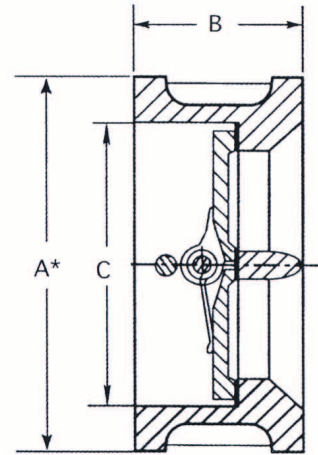
# CHECK VALVE

## Model: DDCV-1161U Double Door Type

### Features

- Double Door features Reduce Frictional Losses
- Suitable for Water, Oil & Gas
- Wafer Design Requires very little Space for Installation
- Disc is made from Stainless Steel SUS316 Material

**Sizes** : 50mm [2"] to 350mm [14"]  
**Pressure** : 16.0 Bars [230 psi] Nominal Working  
 24.0 Bars [350psi] Shell Test  
 17.6 Bars [250psi] Seat Test  
**Temperature** : Working -10 to 120°C [14 to 250°F]  
**How to Order** : Model, Size



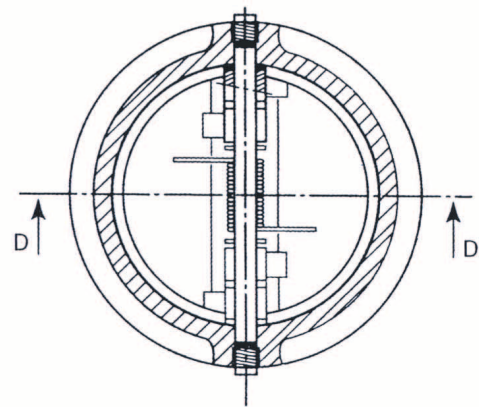
(D-D Section)

### Parts list

Component	Material	BS	ASTM
Body	Cast Iron	1452 Gr 220	A126 Cl.B
Disc	Stainless Steel	1507 S316 C16	A351 CF8M
Hinge Pin	Stainless Steel	970 410 S21	AISI 410
Stop Pin	Stainless Steel	970 410 S21	AISI 410
Springs	Stainless Steel	970 410 S15	AISI 304
Seat	EPDM/NBR		

### Dimension in inch/mm

Normal Size mm	A mm			B mm	C mm
	BS PN10/16	ANSI 125/150	DN PN10/16		
50	98	105	109	54	60
65	111	124	129	54	73
80	130	137	144	57	89
100	162	175	164	64	114
125	194	197	194	70	141
150	216	222	220	76	168
200	273	279	275	95	219
250	337	340	330	108	273
300	384	410	380	143	324
350	448	450	440	184	356



[Registered under Fivalco]

For Enquiry: [tfbpasia@tfca.com](mailto:tfbpasia@tfca.com)