

# BUTTERFLY VALVE

## Model: BFV-N (Grooved End) 2-1/2 Inch - 10 Inch (DN65 - DN250)

### Features

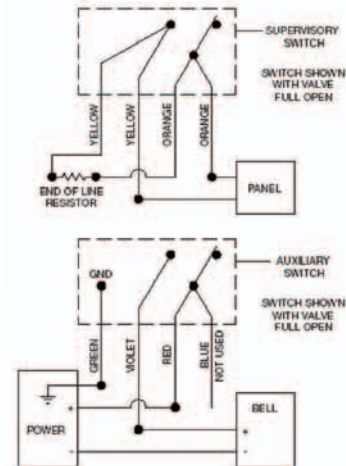
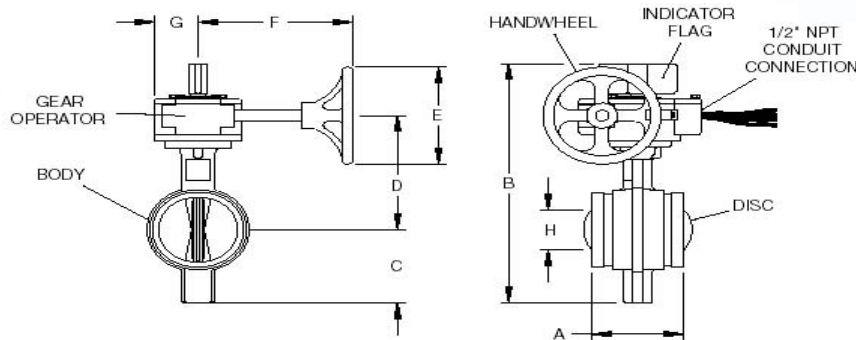
Fire Protection Valve in Grooved Mechanical Style  
Nylon Coated Ductile Iron with Extended Neck & Elastomer Encapsulated Disc  
Accepts Internal & External Supervisory Switches

**Sizes** : 65mm (2-1/2") to 250mm (10")  
**Pressure** : 2-1/2 - 8" (DN65 - DN200) 300 psi (20,7) bar  
: 10" (DN250) 175 psi (12,0 bar)

### MATERIAL LIST

PART	SPECIFICATION
1. Upper Stem	Stainless Steel ASTM A 582 Type 416
2. Upper Bushing	PTFE Bronze Sintered on Steel
3. "O" Ring	Buna-N
4. Body	Ductile Iron ASTM A 395 with Polyimide Coating
5. Disc	Ductile Iron ASTM A 395 with EPDM Encapsulation
6. Lower Bushing	PTFE Bronze Sintered on Steel
7. Lower Stem	Stainless Steel ASTM A 582 Type 416
8. Dust Plug	PVC
9. Nameplate	Aluminum
10. Gear Operator	Cast Iron and Steel
11. Indicator Flag	Cast Iron
12. Handwheel	Cast Iron

\*-8N version has two factory mounted internal supervisory switches.  
-4N version is gear operated only  
Uses NIBCO model #TS-4 Switch Kit.  
Polyimide coating has NSF certification.



CONTACT RATING . . . . . 1/2A @ 125 VDC  
1/4A @ 250 VDC  
15.1A/125HP @ 125, 250 VAC  
5A @ 125 VAC "L"

FIGURE 2  
MODEL BFV-N BUTTERFLY VALVE  
- INTERNAL SWITCH WIRING DIAGRAM -

Nominal Valve Sizes	Pipe O.D.	Nominal Installation Dimensions in Inches and (mm)								Weight lbs. (kg)
		A	B	C	D	E	F	G	H	
2-1/2" DN65	2.88 (73,0)	3.85 (98,0)	11.71 (297,4)	3.25 (83,0)	5.43 (137,9)	6.00 (152,4)	7.81 (198,4)	2.50 (63,5)	0	22 (10,0)
3" DN80	3.50 (88,9)	3.85 (98,0)	12.25 (311,1)	3.54 (90,0)	5.68 (144,2)	6.00 (152,4)	7.81 (198,4)	2.50 (63,5)	0	23 (10,4)
4" DN100	4.50 (114,3)	4.56 (116,0)	13.95 (354,3)	4.35 (110,0)	6.58 (167,1)	6.00 (152,4)	7.81 (198,4)	2.50 (63,5)	0	28 (12,7)
5" DN125	5.56 (141,3)	5.86 (149,0)	14.93 (379,2)	4.84 (123,0)	7.07 (179,6)	6.00 (152,4)	7.81 (198,4)	2.50 (63,5)	0	31 (14,1)
6" DN150	6.63 (168,3)	5.86 (149,0)	17.31 (439,7)	5.93 (151,0)	8.35 (212,0)	6.00 (152,4)	7.81 (198,4)	2.50 (63,5)	0.67 (17,0)	41 (18,6)
8" DN200	8.63 (219,1)	5.26 (134,0)	19.20 (487,7)	6.87 (174,0)	9.29 (236,0)	6.00 (152,4)	7.81 (198,4)	2.50 (63,5)	5.86 (148,8)	53 (24,1)
10" DN250	10.75 (273,1)	6.29 (160,0)	25.11 (637,8)	9.17 (233,0)	11.50 (292,1)	9.00 (228,6)	7.68 (195,1)	3.00 (76,2)	7.41 (188,2)	88 (40,0)

VALVES



[Registered under Tyco]

tyco / Fire & Building Products