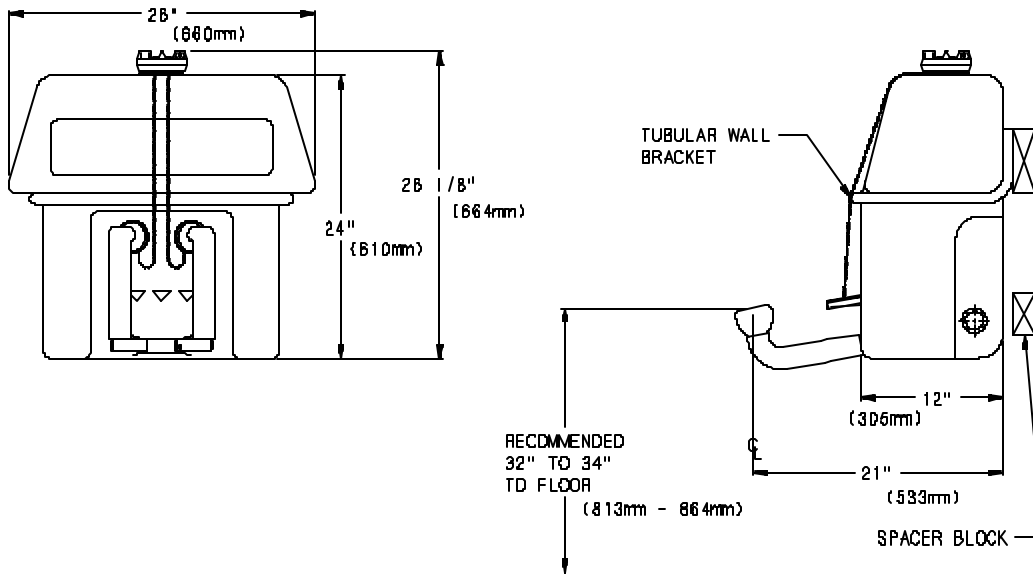


SE-4000 TECHNICAL DATA SHEET

GRAVITYFLO™ PORTABLE EYE/FACE WASH

DESCRIPTION:

Portable emergency eye/face wash supplied with tank, high efficiency spray heads for more effective eye and face coverage, tank cap, and quick opening valve. Activated by pulling down the spray arm.



FLOW DATA:

GPM	TIME
.9	9-1/2 min.
.75	19-1/2 min.
.6	Until Empty

SPECIFICATIONS:

- TANK: Blue, 21 Gallon Molded Polyethylene.
- SPRAY HEADS: Yellow Contoured Rubber.
- VALVE: Brass, Stay Open.
- PIPING: Foam Covered Brass, Connects Valve to Spray Heads.
- TANK CAP: Threaded Cap with Tamperproof Tie.
- BRACKET: For Wall Mounting.
- EMERGENCY SIGN: Yellow, Lettered in Red and Black.

SPEAKMAN®

PO Box 191
 Wilmington, DE 19899
 800-537-2107 Phone 800-977-2747 Fax