

# Emergency Exit Lamp



EPL-950

## STANDARD FEATURES

### HOUSING

- Injection-molded thermoplastic ABS housing.
- UL 94V-0 flame rating
- Innovative, snap-together design allows for fast installation.
- Two fully adjustable glare-free round shape light heads for emergency light.

### MOUNTING

- Wall or Ceiling mounting.
- Easily removed mounting knock-outs and J-box pattern on back panel.

## ELECTRICAL FEATURES

### ELECTRICAL

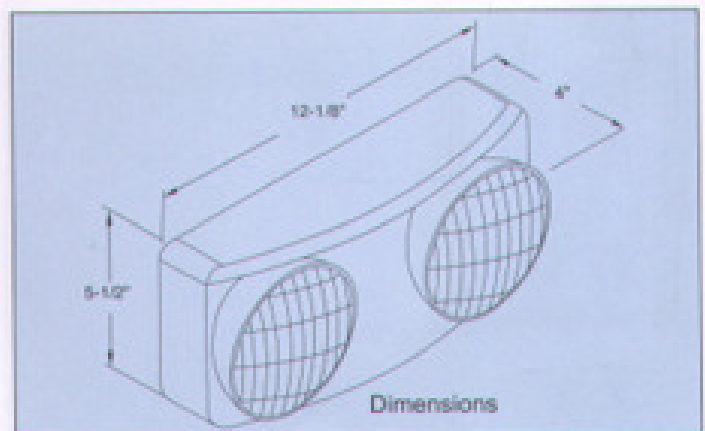
- Universal from 90VAC up to 300VAC free voltage operation.
- Test switch and charge rate indicator.

### LAMPS

- 2x6V 5W DC T5 wedge base lamps for emergency mode.

### BATTERY

- Lead-Calcium Battery (6V 4.5Ah) delivers more than 90 min. capacity to emergency lamps.
- 24 hours recharge after 90 minutes discharge.
- Low voltage battery disconnection-preventing deep discharge damage to the battery.



## ORDERING INFORMATION

Item No.	Housing Color	IR Test Option	Application	Packing:
EPL-950	W: White B: Black	IR1: 30sec test IR2: 30sec or 90min test	DL: Damp Location	6PCS/CTN 10.80KGS(N.W.),13.50KGS(G.W.)CTN 0.0487CBM/CTN (1.72CBFT/CTN) 3636PCS,606CTNS/20'CONTAINER