

Emergency Exit Sign & Lamp

EP-880



STANDARD FEATURES

HOUSING

- Injection-molded thermoplastic ABS housing.
- UL 94V-0 flame rating.
- Innovative, snap-together design allows for fast installation.
- Replaceable directional chevron inserts are easily removed and reinserted.
- Letter 6" height with 3/4" stroke.
- Single or double face configuration
- Two fully adjustable glare-free round shape light heads for emergency light.

MOUNTING

- Universal(Wall, Side or Ceiling) mounting.
- Housing snaps to canopy with simple twist and locking tightly secure housing to canopy.

ELECTRICAL FEATURES

ELECTRICAL

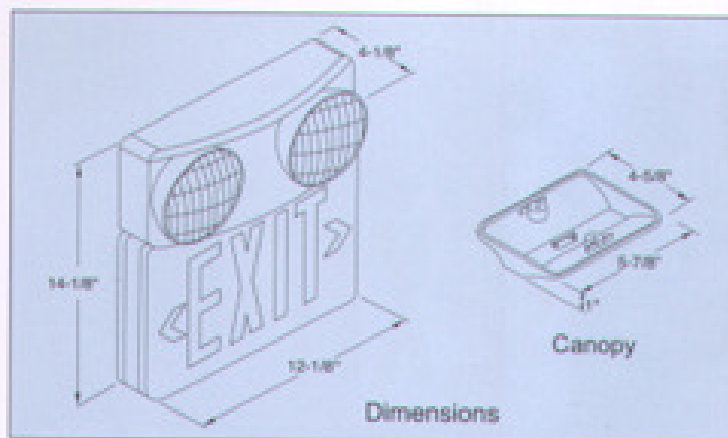
- Universal from 90VAC up to 300VAC free voltage operation.
- Low energy consumption-2.3 watts at normal operation, 12 watts at emergency operation.
- LED indicator light and push button test switch.

LAMPS

- LEDs mounted on print circuit board(for Exit Sign)
- LED lamps are operating in normal (AC input) and emergency(DC input) modes
- 2x6V 5watts DC T5 wedge base lamps for emergency mode.

BATTERY

- Lead-Calcium Battery (6V4.5AH)
- 24 hours recharge after 90 minutes discharges.
- Low voltage battery disconnection-preventing deep discharge damage to the battery.



ORDERING INFORMATION

Item No.	Panel Color	Housing Color	IR Test Option	Application	Packing:
EP-880	R: Red	W: White	IR1: 30sec test	DL: Damp Location	4PCS/CTN 11.6KGS(N.W.),14KGS(G.W.)/CTN 0.0623CBM/CTN (2.20CBFT/CTN) 1896PCS,474CTNS/20'CONTAINER
	G: Green	B: Black	IR2: 30sec or 90min test		