



Head  
Protection



Respiratory  
Protection



Fire and Rescue  
Safety



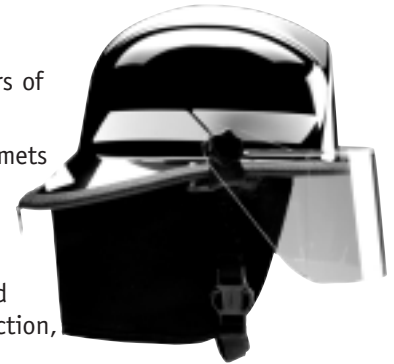
Thermal  
Imaging

## **Innovation, quality, and service in an all new lightweight, compact design.**

The Firedome LT structural fire helmet is the result of 20 years of Bullard thermoplastic technology and engineering expertise.

Featuring a completely new streamlined design, LT Series helmets incorporate recommendations from leading veteran fire and federal government professionals, making the LT designed for firefighters, by firefighters.

The result? An integrated assembly of advanced materials and quality components that provide industry leading head protection, and proven long-lasting durability.



### **Features and Benefits**

#### **Tough and Durable Protection. Bullard Tough.**

The outer shell of the LT is made of the same high-heat Ultem® thermoplastic engineered in Bullard PX™ structural fire helmets and our full range of Thermal Imagers. Supplied in seven colors – red, white, yellow, black, blue, orange and lime-yellow – Ultem provides unparalleled impact and penetration resistance.

#### **Quick, Easy Sizing**

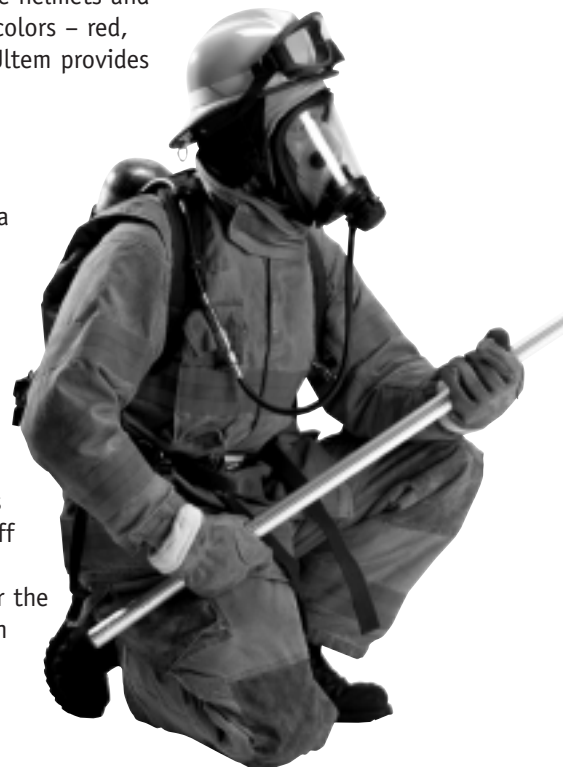
The Bullard Sure-Lock® ratchet headband offers both a quick-turn of the knob and a new, unique 3-position height adjuster to create that personalized fit for balance, comfort and a stable, positive interface with respiratory equipment.

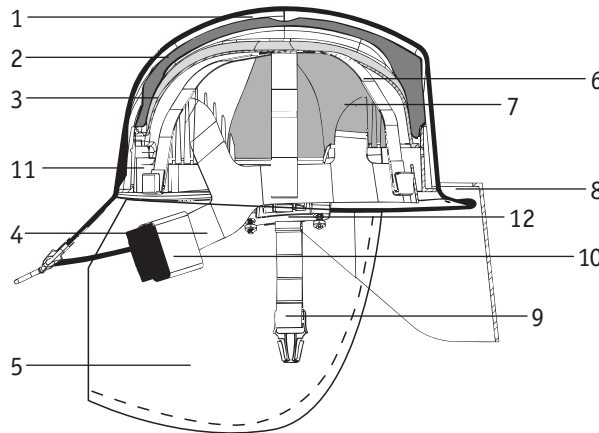
#### **Eye Protection Made Easy**

Bullard LT Series helmets come standard with the all-new and innovative Quick-Attach Blade™ system. This system permits the firefighter to simply press on or off either a blade-mounted faceshield or blade-mounted goggle in seconds. This flexibility gives the firefighter the advantage of the right option for the right application without time consuming component changes.

#### **Cost-Effective Maintenance**

LT helmets are designed from the start to make maintenance simple and cost effective. Fewer components and the greatest cost effectiveness in the industry, enhance your long term investment.





1. Thermoplastic outer shell
2. Urethane foam impact liner
3. Black inner shell
4. Sure-Lock® ratchet headband
5. Rip-Stop Nomex® ear/neck protector
6. Six-point crown strap assembly
7. Fire resistant, cotton brow pad
8. Faceshield
9. Nomex® chin strap with quick-release buckle and postman's slide fastener.
10. Leather ratchet cover
11. Three position height adjuster
12. Quick-Attach Blade System

## Ordering Information

CATALOG NUMBER	DESCRIPTION
<b>LT (Standard)</b>	<b>Fire dome LT Helmet</b> Ultem Thermoplastic outer shell, urethane foam impact liner, black inner shell, Sure-Lock ratchet headband with short brow pad, nylon crown straps, Nomex chin strap with quick-release buckle, rip-stop Nomex ear/neck protector, and 4" R330 faceshield.
<b>LTG4 (Standard)</b>	<b>Fire dome LT Helmet</b> Ultem Thermoplastic outer shell, urethane foam impact liner, black inner shell, Sure-Lock ratchet headband with short brow pad, nylon crown straps, Nomex chin strap with quick-release buckle, rip-stop Nomex ear/neck protector, and ESS NFPA goggle.
<b>LTX (Deluxe)</b>	<b>Fire dome LT Helmet</b> Ultem Thermoplastic outer shell with metal reinforced edge beading, urethane foam impact liner, black inner shell, Sure-Lock ratchet headband with full brow pad, nylon crown straps, Nomex chin strap with quick-release buckle and postman's fastener, rip-stop Nomex ear/neck protector, and 4" R330 faceshield.
<b>LTG4X (Deluxe)</b>	<b>Fire dome LT Helmet</b> Ultem Thermoplastic outer shell with metal reinforced edge beading, urethane foam impact liner, black inner shell, Sure-Lock ratchet headband with full brow pad, nylon crown straps, Nomex chin strap with quick-release buckle and postman's fastener, rip-stop Nomex ear/neck protector, and ESS NFPA goggle.
<b>Colors</b>	Helmet shells are available in seven standard colors: white, red, yellow, black, blue, orange, and lime-yellow. Additional replacement parts, accessories, and decorations are available. Contact your distributor or Bullard Sales Support for details.

## Technical Specifications

Dimensions - 12-3/4" L x 10" W x 6-1/2" H  
 Outer Shell Material - GE Ultem® Thermoplastic  
 Inner Shell Material - Urethane foam with ABS Inner liner  
 Suspension - 6-point Nylon crown strap  
 Warranty - 2 years from Date of Manufacture

### WARNING

Bullard products are manufactured to exacting specifications. Any alteration or modification of these products by the user may adversely affect product performance. This information is in summary form only for easy reference. Refer to labels, instructions or other literature accompanying the product for more complete details regarding product use, maintenance, warnings, performance capabilities, complete specifications, instructions, and precautions. Failure to observe these warnings could result in death or serious injury.

LT helmets meet or exceed the performance specifications of NFPA 1971 - 2000 as certified by U.S. Testing.



**Bullard**  
 1898 Safety Way  
 Cynthiana, KY 41031-9303  
 Toll free: 877-BULLARD (285-5273)  
 Tel: 859-234-6616  
 Fax: 859-234-8987  
[www.bullard.com](http://www.bullard.com)

**Bullard GmbH**  
 Hochkreuzallee 36  
 53175 Bonn-Bad Godesberg  
 Germany  
 Tel: +49 228 931933 0  
 Fax: +49 228 931933 50

©2003 Bullard. All rights reserved. Patents pending.

Bullard, Fire dome, Sure-Lock, and Hard Boiled are registered trademarks of Bullard.

"It's your life and you're worth it", LT, PX, and Quick-Attach Blade are trademarks of Bullard.

Nomex is a registered trademark of E.I. DuPont de Nemours & Company.

Ultem is a registered trademark of General Electric.

8084 (0303)